



SVS-VISTEK

SVCam-CF

VGA up to 8 Megapixel



International

Scale your vision.

SVCam-CF

VGA up to 8 Megapixel



The SVCam-CF series cameras allow precision imaging in highly automated production facilities. The cameras range from VGA to 8 MPixel resolution utilizing high-quality interline CCD sensors from Sony and Kodak. These reliable, high-performance cameras integrate easily into new or existing imaging systems.

The SVCam-CF series ensures the maximum performance required for demanding vision applications. They are available in Camera Link and GigEVision interfaces to achieve the highest data transfer rates between camera and PC. With their cutting-edge electronics design and the use of single- and dual-tap sensors, the cameras offer very high image frequencies at extremely low noise levels. The compact housing enables installation even in limited space conditions.

Sophisticated processing of the analog CCD video signal by Correlated Double Sampling (CDS) to reduce noise and an early analog to digital conversion result in an excellent signal-to-noise ratio. Additionally, the integration of intelligent processing offers various modes for exposure time and trigger control settings.

The SVCam-CF series provides for quick return-on-investment for demanding imaging systems by delivering an unbeatable combination of image quality, speed, features, and reliability.

All camera models of the SVCam-CF series have the following features:

- > Progressive Scan CCD sensors
- > Monochrome and color versions (Bayer Pattern)
- > Various trigger (internal/external/free running) and exposure modes
- > Adjustable gain
- > Low offset
- > Various binning modes
- > Partial Scan
- > C-Mount
- > Operating temperature range from -10°C (non-condensing) to +45°C
- > Power supply: +12V DC

Camera Link specific feature:

- > 10 Bit data; some models with 12 Bit option available

GigE specific features:

- > GigE Vision (Gigabit Ethernet) standard compliant
- > 100/1000 MBit Ethernet interface
- > 8 or 12 Bits transferred
- > Area of Interest (AOI)
- > White balance for color versions
- > Opto-isolated strobe output, configurable delay
- > SDK for Windows and Linux available

SVS-VISTEK R&D flexibility

Our unique R&D department is constantly monitoring the market demands to design well tailored, cutting-edge products. It also provides for the flexibility to realize customer specific projects and ideas. Your input is the source of our creativity.

Major advantages of GigE Vision

GigE Vision offers numerous hardware and software advantages for users over the entire range of industrial image processing applications. Most important of these advantages is that the hardware used can be easily and rapidly exchanged, thus shortening design cycles and reducing development costs.

- > Cost effective
- > Easy to interface
- > Flexible; Downwards-compatible to Fast Ethernet and upwards-compatible to 10 GB Ethernet
- > Wide range of „off the shelf“ industrial-standard plugs and cables up to class IP68
- > High bandwidth data transfer rate (120 MB/sec per Output)
- > Up to 100 m range without extra switch
- > Wide range of applications in image processing
- > Any desired number of devices can be connected to the host
- > Remote service capability

GigE Cameras

Camera Type	Resolution [Pixel]	Sensor Size	Frame Rate	Pixel Size [μm]	Housing Size [mm]	ADC Bit	Lens Mount
svs340	640 x 480	1/3"	260 fps	7.4 x 7.4	51 x 55 x 73	14	C-Mount
svs1050	1.024 x 1.024	1/2"	60 fps	5.5 x 5.5	51 x 55 x 73	14	C-Mount
svs2050	1.600 x 1.200	2/3"	31 fps	5.5 x 5.5	51 x 55 x 73	14	C-Mount
svs2150	1.920 x 1.080	2/3"	31 fps	5.5 x 5.5	51 x 55 x 73	14	C-Mount
svs4022	2.048 x 2.048	21.5 mm diag.	19 fps	7.4 x 7.4	51 x 55 x 73	14	M42/C- or F-Mount
svs4050	2336 x 1.752	1"	16 fps	5.5 x 5.5	51 x 55 x 73	14	M42/C- or F-Mount
svs625	2.448 x 2.050	2/3"	15 fps	3.45 x 3.45	51 x 55 x 73	14	C-Mount

Camera Link Cameras

Camera Type	Resolution [Pixel]	Sensor Size	Frame Rate	Pixel Size [μm]	Housing Size [mm]	ADC Bit	Lens Mount
svs340	640 x 480	1/3"	400 fps	7.4 x 7.4	51 x 55 x 43	10/14	C-Mount
svs424	640 x 480	1/3"	116 fps	5.5 x 5.5	51 x 55 x 35	10	C-Mount
svs204	1.024 x 768	1/3"	50 fps	4.65 x 4.65	51 x 55 x 35	10	C-Mount
svs1050	1.024 x 1.024	1/2"	90 fps	5.5 x 5.5	51 x 55 x 43	14	C-Mount
svs285	1.360 x 1.024	2/3"	33 fps	6.45 x 6.45	51 x 55 x 35	14	C-Mount
svs2050	1.600 x 1.200	2/3"	53 fps	5.5 x 5.5	51 x 55 x 43	10/14	C-Mount
svs2150	1.920 x 1.080	2/3"	50 fps	5.5 x 5.5	51 x 55 x 43	10/14	C-Mount
svs274	1.600 x 1.200	1/1.8"	25 fps	4.4 x 4.4	51 x 55 x 35	14	C-Mount
svs4022	2.048 x 2.048	21.5 mm diag.	25 fps	7.4 x 7.4	51 x 55 x 43	10/14	M42/C- or F-Mount
svs4050	2.336 x 1.752	1"	25 fps	5.5 x 5.5	51 x 55 x 43	14	M42/C- or F-Mount
svs625	2.448 x 2.050	2/3"	20 fps	3.45 x 3.45	51 x 55 x 43	14	C-Mount
svs8050	3.320 x 2.496	22.66 mm diag.	10 fps	5.5 x 5.5	51 x 55 x 43	14	M42/C- or F-Mount

Connector pin-out



- 7 Strobe OUT -
- 6 Strobe OUT +
- 5 Trigger -
- 4 Trigger +
- 3 Shield
- 2 GND
- 1 +12V to +15V

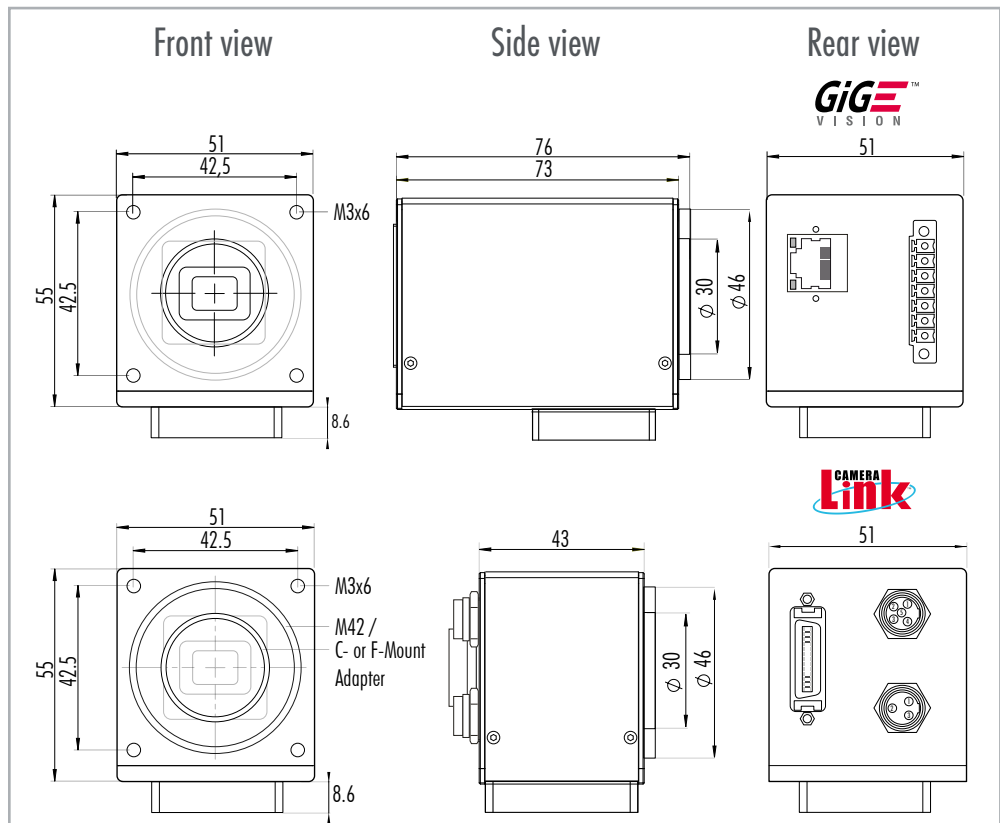


- 1 Reserved (do not connect)
- 2 Reserved (do not connect)
- 3 Reserved (do not connect)
- 4 Tr - (Exsync GND)
- 5 Tr + (Exsync min 5V TTL)



- 1 +12V to +15V DC
- 2 Reserved (do not connect)
- 3 GND

Dimensions [mm]



Application Areas

SVCam cameras are used successfully in a wide range of different industries, e.g.:

- > Aerospace
- > Automotive
- > Beverage
- > Food
- > Information
- > Mechanical engineering
- > Medical technology
- > Optical metrology
- > Pharmaceutical
- > Photovoltaic/power engineering
- > Plastics
- > Printing
- > Semiconductor
- > Timber
- > Traffic monitoring
- > Transportation systems



SVS-VISTEK

SVS-VISTEK GmbH

Muehlbachstrasse 20
82229 Seefeld
Germany

Tel. +49-(0) 81 52-99 85-0
Fax +49-(0) 81 52-99 85-79
info@svs-vistek.com
www.svs-vistek.com

SVCam – High-performance CCD cameras made by SVS-VISTEK

“SVCam” stands for high-performance CCD cameras developed and manufactured in modular designs which can be tailored to meet specific customer requirements. In total there are currently five camera series, representing state-of-the-art camera technology which match the specific needs of our customers:

SVCam-ECO

Maximum performance with a minimum of size. Cost-effective Gigabit Ethernet camera series for your applications.

SVCam-EVO

The Masterpiece of camera engineering. Combines high resolution with the highest level of speed. DualGigE- or Camera Link-output available. A very unique set of features to maximize flexibility and benefits.

SVCam-CF

Diversity and flexibility with Gigabit Ethernet or Camera Link interfaces. Coverage of the most popular CCDs in order to suit all of your applications.

SVCam-HR

Maximum resolution, yet smallest design possible. With Gigabit Ethernet and Camera Link interfaces for those applications requiring absolute precision.

SVCam-SLC

Slim, right-angle housing allowing access to space limited applications. This very unique GigE Vision camera series will open up new opportunities.

Supported Interfaces



For more information our sales team will be pleased to assist you with expert advice. Please contact us.